

# PARTS LIST

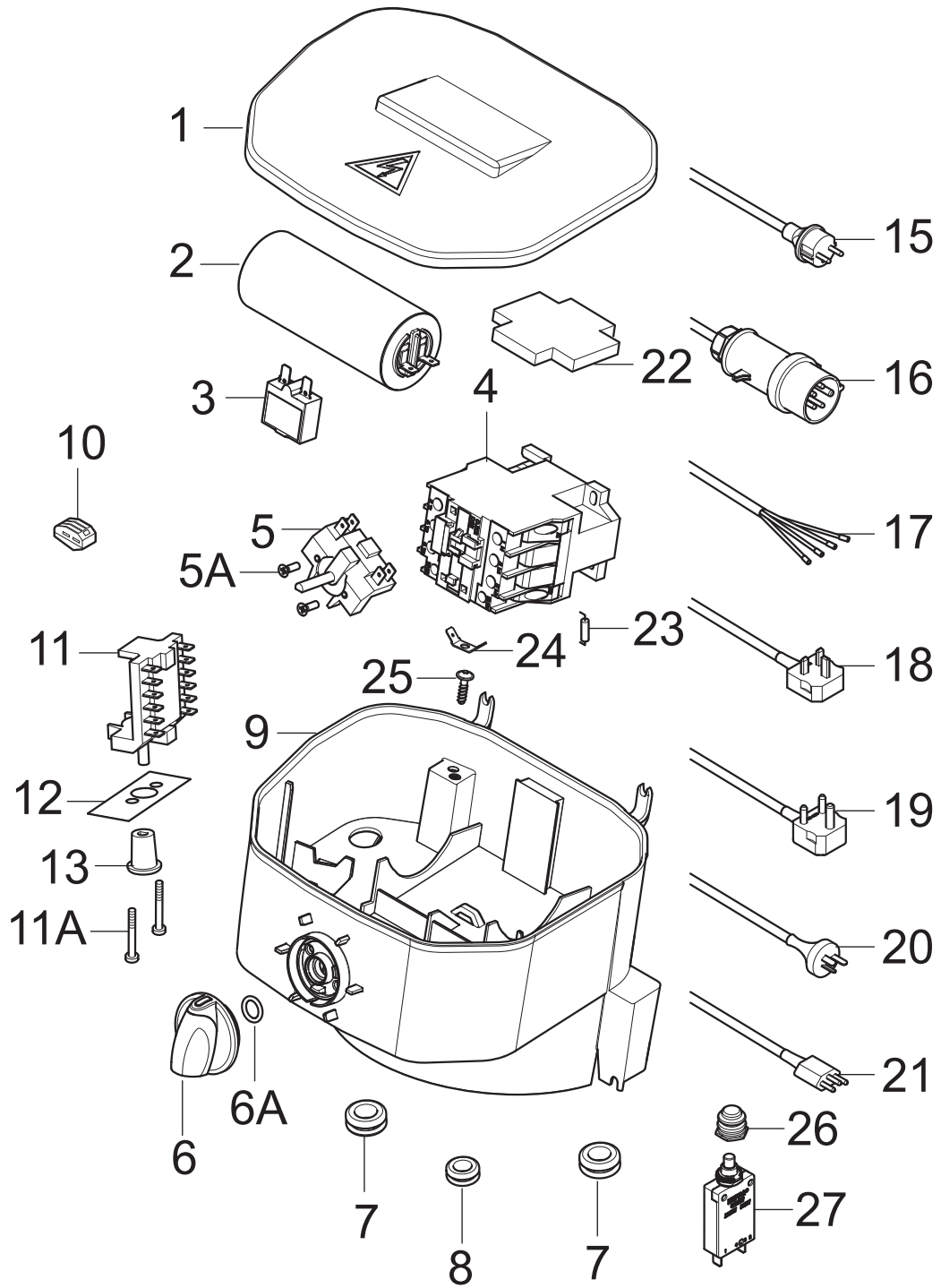


2020.07.01

# TABLE OF CONTENTS

---

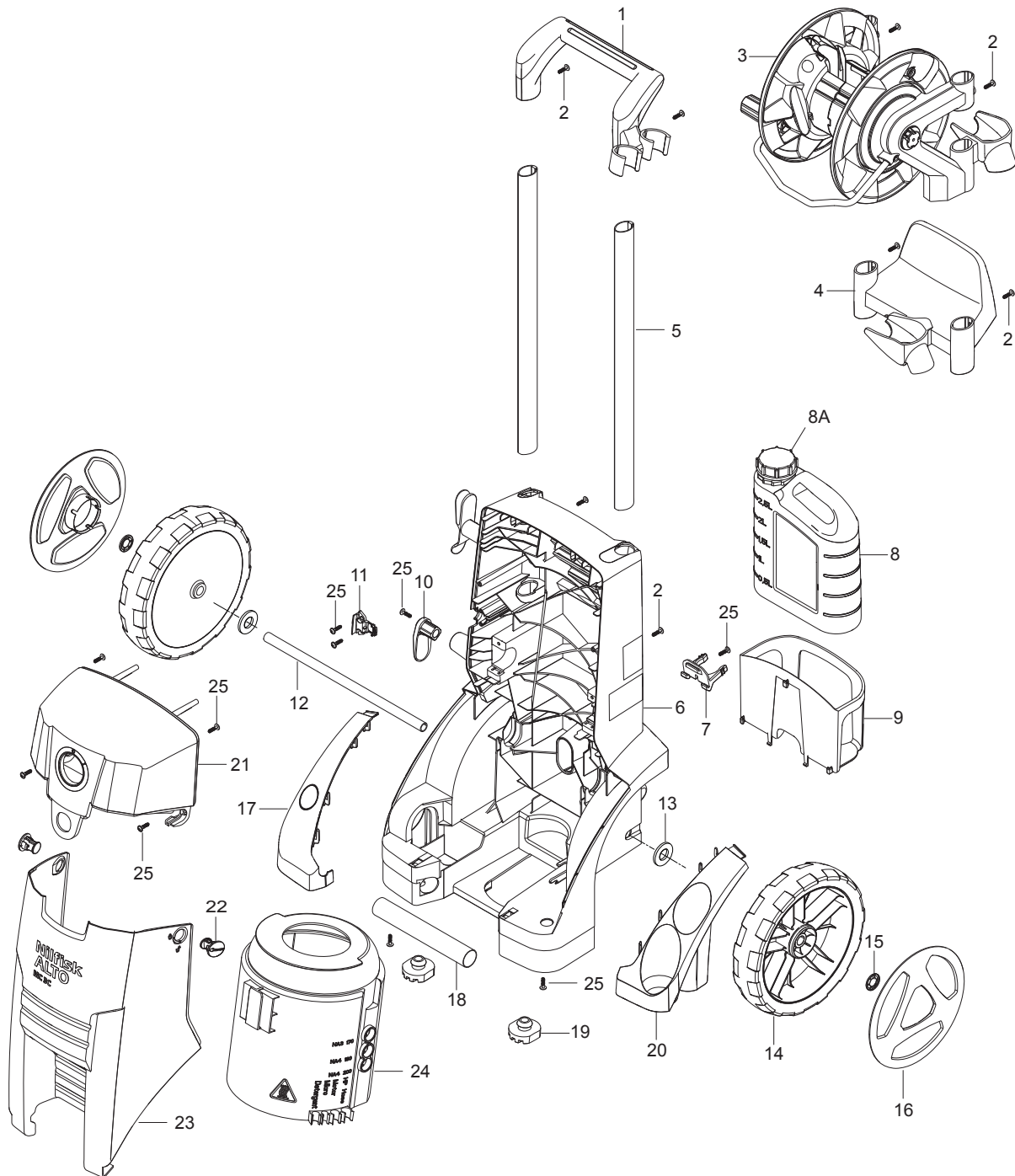
Electric box .....	1
Overview .....	3
Pump with easy start and without injector .....	5
Recommended spare part .....	8
Default accessories .....	10
Motor MC3 .....	12



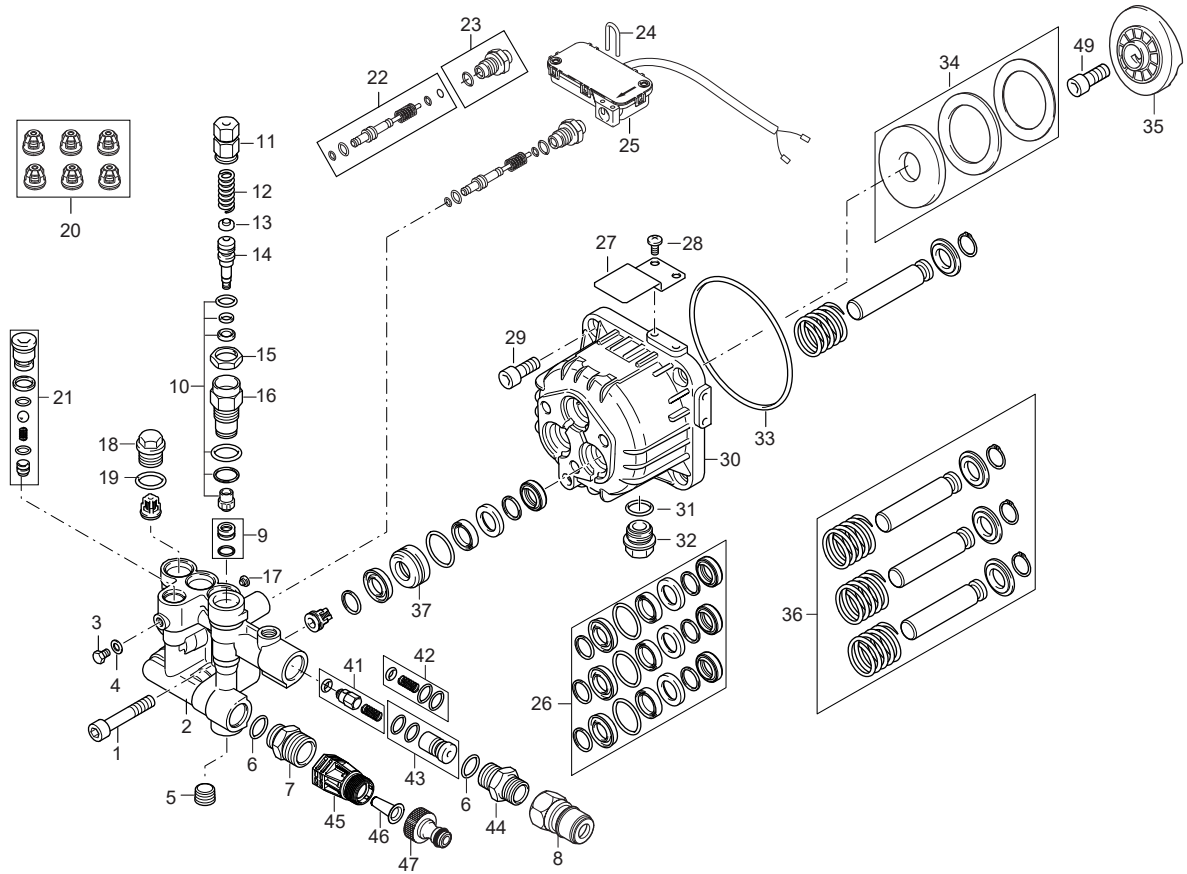
Pos.	Product no	QTY	Description	Notes
1	107142547	1	E-BOX LID MC 3-4	
2	301002320	1	CAPACITOR 70MF /450V P0 FSH6.3	
3	301002322	1	FUSE 16AMPS TYPE 1658	
3	107142548	1	FUSE 16 AMPS TYPE 2-5700-IG2-P10-DD-16A	[1]
4	103822300	1	CONTACTOR CJX2-D12 12A 400V 3P+NO	
4	63905	1	CONTACT 100-C16KF10 23	[2]
5	301001058	1	CAM SWITCH 0-1 10A 400VAC	
5A	18274	2	COUNTERSUNK SCREW M4X12	
6	909100204	1	ROTARY KNOB 6X5 ALTO BLUE	
6A	9868	1	O-RING 10,2x2,5 NBR 70SH	
7	301002284	2	GROMMET	
8	3803772	1	CABLE GROMMET TET 7-10C	
9	107142550	1	E-BOX BOTTOM MC 3-4	
10	301001229	1	SNAP-ON CLIP 3X4QMM 400V 24A GREY	
11	64579	1	SWITCH START/TRIANGLE 16A	
11A	3389	2	CYLINDER SCREW M4X20 ISO 1207 ZN	
12	107142551	1	LABEL 230-400V CHANGE-OVER 74X28	
13	64580	1	ROTARY KNOB	[3]
15	107142552	1	POWER CORD - H07RN-F 3G1.5X6M. CEE 7 1 P	[4]
16	107142553	1	POWER CORD - H07RN-F 4G1.5X6M. CEE 5 3 P	[5]
17	107142554	1	POWER CORD - H07RN-F 4G1.5X6M. Y/D 3PH	[6]
18	107142555	1	POWER CORD H07RN-F 3G1.5X6M BS1363 1PH	[7]
19	107142556	1	POWER CORD H07RN-F 3G1.5X6M SABS 164 1	[8]
20	107142557	1	POWER CORD H07RN-F 3G1.5X6M AS 3112 1P	[9]
21	107142558	1	POWER CORD H07RN-F 3G1.5X6M NBR 14136	[10]
22	64773	1	AUXILIARY CONTACT 100-SBL11	
23	301000074	1	RESISTOR 470 OHM 3W	
24	107142559	1	FASTON TAB TERMINAL DOUBLE STUD 45°	
25	107141838	1	SCREW K50X18 WN1451 BLACK TORX20	
26	107142564	1	FUSE CAP ETA TYPE X 200 801 08 (UNITOR)	[11]
27	107142548	1	FUSE 16 AMPS TYPE 2-5700-IG2-P10-DD-16A	[11]

## Part Notes:

- [1] - UNITOR HPC 3C - 150/660
- [2] - 220/440/3/60 EXPT, 230/400/3/50 NO
- [3] - TSB-PPW-2016-007 Rotary knob for Voltage selector switch 230V-400V must be sealed with lacquer  
DE TSB-PPW-2016-007 Drehknopf des Spannungsauswahlschalters 230V-400V muss mit Lack versiegelt werden
- [4] - MC 4M-140/620 EU, MC 3C-140/660 EU
- [5] - MC 3C-160/770 , MC 4M-180/740, MC 4M-160/720
- [6] - MC 3C-170/820, MC 4M-180/740, MC 4M-160/720
- [7] - MC 4M-100/770, MC 4M-140/620, MC 3C-150/570, MC 3C-140/570
- [8] - MC 4M-160/620 (ZA)
- [9] - STOCK COVERS GUARANTEE  
MC 4M-160/620 (AU)
- [10] - 220/1/60 (BR)
- [11] - UNITOR



Pos.	Product no	QTY	Description	Notes
0	107142623	1	10 PCS CARD BOX NILFISK MC 3C - MC 4M	
1	107142500	1	HANDLE MC 3-4	
2	909100425	4	SCREW M6X12 CE T30 DIN 7500 ST/ZN	
3	107142536	1	REEL FOR HOSE MC 3-4	
4	107142501	1	HOSE HOOK MC 3-4	
5	107142502	2	ALU PROFILE 25X35 MC 3-4	
6	107142503	1	CHASSIS MC 3-4	
7	107142504	1	HOLDER F. FOAM GUN	
8	107141635	1	DETERGENT BOTTLE 2.5 L	
8A	107141664	1	CAP FOR DETERGENT TANK	
9	107142505	1	BRACKET F. DETERGENT TANK 2.5L	
10	107142507	1	CABLE HOOK MC 3-4	
11	107142509	1	CABLE CLAMP MC 3-4	
12	301002304	1	AXLE 15X1.5	
13	909100426	2	WASHER 16 17X30X30 DIN 34815 PA	
14	107142510	2	WHEEL ?250x55	
15	11710	2	CLAMPING RING Ø10 1PCS	
16	107142511	2	WHEEL CAP F. WHEEL ?250X55 NILFISK	
17	107142515	1	WHEEL CABINET RIGHT MC 3-4	
18	107142517	1	HANDLE - ALU BAR	
19	301002301	2	FOOT POSEIDON 3	
20	107142518	1	WHEEL CABINET LEFT MC 3-4	
21	107142520	1	CABINET E-BOX MC 3-4	
22	301000584	2	LOCKING BOLT D29X28	
23	107142522	1	CABINET MC 3C	
24	107142525	1	FAN CAP	
25	107141838	10	SCREW K50X18 WN1451 BLACK TORX20	



Pos.	Product no	QTY	Description	Notes
1	31000942	1	SCREW M8x45	
2	31000943	1	PUMP HEAD	
3	301003035	1	SCREW M6	
4	31000944	2	WASHER	
5	31000645	1	PLUG 1/4 INCH G	
6	31000945	1	O-RING D14x2	
7	31000946	1	FITTING 1/2INCH G M - 3/8INCH G M	
8	1600493	1	Nippel F. Q-COUPL. 3/8 INCH	
9	31000930	1	VALVE SEAT KIT	
10	31000929	1	GASKET KIT FOR UNLOADER	
11	31000947	1	SCREW	
12	31000649	1	SPRING 10.62X6.08X2.8	
13	31000630	1	SPRING PLATE	
14	31000948	1	PISTON	
15	31000949	1	NUT	
16	31000950	1	PISTON GUIDE	
17	31000951	1	PLUG	
18	31000952	1	PLUG	
19	31000953	1	O-RING D13.5x1.8	
20	31000937	1	INLET & OUTLET VALVE KIT	
21	31000928	1	EASY START KIT	
22	31000986	1	PISTON KIT FOR MICROSWITCH	[1]
23	31000987	1	FITTING KIT FOR MICROSWITCH	[2]
24	31000954	1	CLAMP FOR SWITCHBOX	
25	107142680	1	SWITCHBOX ASSEMBLY	[3]
26	31000935	3	GASKET KIT	
27	31000956	1	SUPPORT	
28	31000957	1	SCREW 5x10 UNI 8110	
29	301003063	1	SCREW M5X25 UNI 5931	
30	31000958	1	PUMP BODY	
31	31000597	1	O-RING Ø14X1.78	
32	31000959	1	PLUG 3/8INCH G PLASTIC	
33	31001001	1	O-RING Ø92X3	
34	31000936	1	BEARING KIT	
35	31000964	1	WOBBLE DISC 9.5 DEG	[4]
35	31000962	1	WOBBLE DISC 10 DEG	[5]
35	31000963	1	WOBBLE DISC 11.5 DEG	[6]
36	31000938	1	PISTON KIT D14	
37	31000968	1	PISTON GUIDE D14	
41	31000932	1	PRESSURE VALVE KIT	
42	31000941	1	KIT FOR INJECTOR	
43	31000933	2	INJECTOR ALTO	
44	31000969	1	FITTING 3/8INCH GM - 3/8INCH G M	
45	107142566	1	WATER INLET TUBE	
46	101117926	1	FILTER	
47	1402809	1	GARDENA COMPATIBLE MALE COUPLING 3/4	
49	1803337	1	SCREW M8X25 - 8.8 A2K ISO 4762	
49	1812296	1	SCREW M8X25 STAINLESS	

Part Notes:

- [1] - TSB-PPW-2016-014 MC 3C\_MH 3M Start-Stop valve 31000986 grease specification  
DE TSB-PPW-2016-014 MC 3C MH 3M Start-Stopp Ventil 31000986 Schmierfett Spezifikation
- [2] - TSB-PPW-2016-014 MC 3C\_MH 3M Start-Stop valve 31000986 grease specification  
DE TSB-PPW-2016-014 MC 3C MH 3M Start-Stopp Ventil 31000986 Schmierfett Spezifikation
- [3] - TSB-PPW-2017-009 MC 3C\_MC 4M Single Phase - Micro switch terminals poor connection
- [4] - MC 3C 130/660 220/1/60/15 EXPT  
MC 3C-140/660 220/1/60/15 EXPT  
UNITOR HPC 30/1 3C-150/660 220/1/60/16
- [5] - MC 3C-150/570 230/1/50/13 XT UK, MC 3C-140/157



- [6] - MPU ALTO SWEDEN 3C - 130/660 230/1/50/13 - MC 3C-140/660 230/1/50/16 - MC 3C-150/660 230/1/50/16 - MC 3C-150/660 230/1/50/16 XT EU



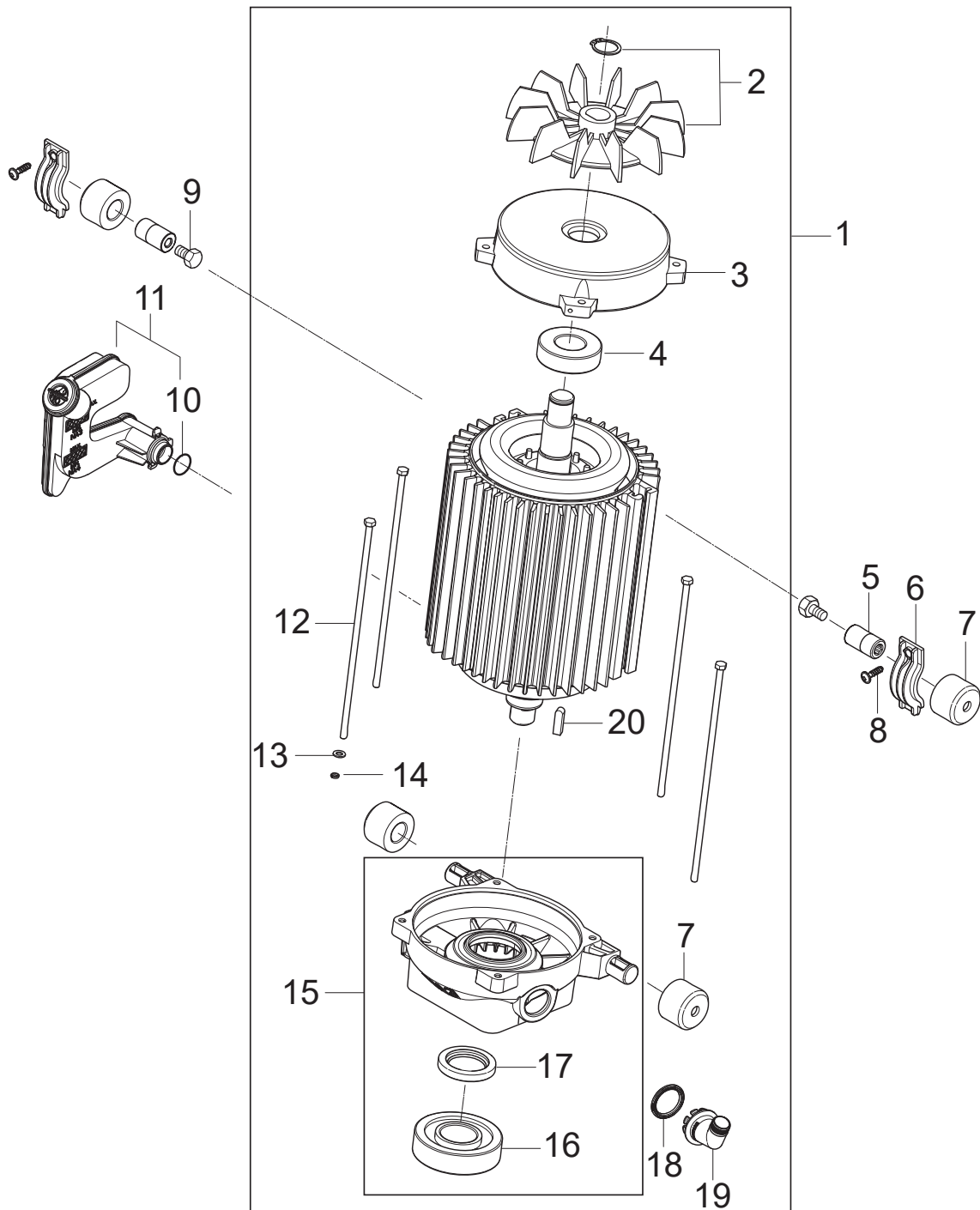
Pos.	Product no	QTY	Description	Notes
A	31000630		SPRING PLATE	
A	31000649		SPRING 10.62X6.08X2.8	
A	31000928		EASY START KIT	
A	31000929		GASKET KIT FOR UNLOADER	
A	31000932		PRESSURE VALVE KIT	
A	31000933		INJECTOR ALTO	
A	31000935		GASKET KIT	
A	31000937		INLET & OUTLET VALVE KIT	
A	31000941		KIT FOR INJECTOR	
A	31000948		PISTON	
A	31000968		PISTON GUIDE D14	
A	31001001		O-RING Ø92X3	
A	65466		PACKING RING 8X15X1 DIN7603 A CU	
A	3004321		O-RING 10x2 PUR 90SH P5000	
A	107142541		CONNECTION HOSE DN8 F. HOSE REEL MC 3-4	
A	107142542		HP-HOSE DN6X15M MC 3-4	
A	107142548		FUSE 16 AMPS TYPE 2-5700-IG2-P10-DD-16A	
A	301002322		FUSE 16AMPS TYPE 1658	
A	301003078		OIL SEAL	
B	4029		O-RING 18x2,5 NBR 70SH	
B	31000597		O-RING Ø14X1.78	
B	31000986		PISTON KIT FOR MICROSWITCH	
B	31000987		FITTING KIT FOR MICROSWITCH	
B	107142680		SWITCHBOX ASSEMBLY	
B	31000959		PLUG 3/8INCH G PLASTIC	
B	107145038		FAN INCL. LOCK RING	
C	2753		HEX. SCREW M8X20 ISO 4017 ZN	
C	31000927		PLUG KIT	
C	31000936		BEARING KIT	
C	31000938		PISTON KIT D14	
C	31000960		WOBBLE DISC 12 DEG	
C	31000961		WOBBLE DISC 14 DEG	
C	31000962		WOBBLE DISC 10 DEG	
C	31000963		WOBBLE DISC 11.5 DEG	
C	31000964		WOBBLE DISC 9.5 DEG	
C	31000965		WOBBLE DISC 9 DEG	
C	107142544		NUT M8 X D17 X L31 INT. HEX 8	
C	301003080		BEARING 6205 ZZ	
C	63905		CONTACT 100-C16KF10 23	
C	103822303		CONTACTOR CJX2-D18 18A 400V 3P+NO	
C	301001058		CAM SWITCH 0-1 10A 400VAC	
C	301002320		CAPACITOR 70MF /450V P0 FSH6.3	
C	301003079		BEARING 7305	



Pos.	Product no	QTY	Description	Notes
1	106403122	1	ERGO 2000 STANDARD W. HOSE SWIVEL	[1]
2	301002275	1	10 M WIRE HOSE DN6	[2]
2	107142542	1	HP-HOSE DN6X15M MC 3-4	[3]
3	107142576	1	HP-NOZZLE 1/8-27NPT MEG 25034	[4]
3	107142579	1	HP-NOZZLE 1/8-27NPT MEG 25045	[5]
3	106402282	1	FLEXOPOWER PLUS 960 BEND W/O NOZZLE	[6]
3	106403011	1	TORNADO PLUS 1000 BEND W/O NOZZLE	[7]
3	106403035	1	UNIVERSAL PLUS LANCE 1080 BEND W/O NOZZ	[8]
3	101119735	1	NOZZLE 0340 INDICATION RING VIOLET	[9]
3	101119737	1	NOZZLE 0370 INDICATION RING BRONZE	[10]
3	101119738	1	NOZZLE 0400 INDICATION RING METAL GREY	[11]
3	101119739	1	NOZZLE 0435 INDICATION RING BLUE	[12]
4	106408250	1	4-IN-1 LANCE INCL 0340 ALUMINUM HEAD	[13]
4	106408261	1	4-IN-1 LANCE INCL 0370 ALU HEAD W/O LOGO	[14]
4	106408252	1	4-IN-1 LANCE INCL 0370 ALUMINUM HEAD	[15]
4	106408254	1	4-IN-1 LANCE INCL 0435 ALUMINUM HEAD	[16]
5	107145803	1	HOSE REEL FOR MC 3-4	
	106404529	1	GARDENA COMPATIBLE MALE 3/4" ACCESSORY	
	61369	1	HOSE NOZZLE 20R3/4	[17]

Part Notes:

- [1] - ERGO 2000 Spray handle
- [2] - Without hose reel
- [3] - X-TRA (with hose reel)
- [4] - PRUNED-NO REPLACEMENT  
MC 3C-140/570 230/1/50/13
- [5] - MC 3C-160/770 400/3/50 EU
- [6] - FLEXOPOWER PLUS lance
- [7] - TORNADO PLUS lance
- [8] - UNIVERSAL PLUS lance
- [9] - MC 3C 150/570
- [10] - MC 3C 140/660, MC 3C 150/660
- [11] - MC 3C 130/660
- [12] - MC 3C 170/820
- [13] - MC 3C 150/570  
4 in1 Nozzle
- [14] - 2020 ACCESSORY PRUNING
- [15] - MC 3C 150/660  
4 in1 Nozzle
- [16] - MC 3C 170/820  
4 in1 Nozzle
- [17] - UNITOR



Pos.	Product no	QTY	Description	Notes
0	31001082	1	OIL ROTRA MP 80W-90 1L	[1]
1	31001003	1	MOTOR NA3 - 2.5KW/230V/50HZ/1PH	[2]
1	31001004	1	MOTOR NA3 - 2.5KW/220V/60HZ/1PH	[3]
1	31001005	1	MOTOR NA3 - 3.6KW/230/400V/50HZ/3PH	[4]
2	107145038	1	FAN INCL. LOCK RING	
3	107145037	1	N-BEARING COVER	
4	301003080	1	BEARING 6205 ZZ	
5	107142544	2	NUT M8 X D17 X L31 INT. HEX 8	
6	301002296	2	BRACKET FOR MPU SUSPENSION 25X66	
7	107142545	4	SUSPENSION D35 X D17 X L25	
8	107141838	2	SCREW K50X18 WN1451 BLACK TORX20	
9	2753	2	HEX. SCREW M8X20 ISO 4017 ZN	
10	107142589	1	SEAL ID 16.7XOD 21.2XW 5 NBR 70 SHORE A	
11	107142546	1	OIL CONTAINER MC 3-4	[5]
12	31000923	4	STAY BOLT M5X200	
13	31000918	4	WASHER D5.5XD10 GB/T97.1 ISO7089	
14	31000919	4	LOCK RING D5.1XD7.7 GB/T93 DIN127	
15	31000926	1	D-BEARING COVER P3 INCL SEAL AND BEARING	
16	31001028	1	BEARING 7306	
17	301003078	1	OIL SEAL	
18	31000921	1	SEAL ID 23.4XOD 31 D 2/3.5	
19	31000922	1	CABLE GLAND 23.5 SNAPON 110 DEG	
20	101814798	1	KEY 6 X 6 X 20 MM FOR POSEIDON 4	
21	107142617	1	BRACKET OIL CONTAINER NA3-NA4 CPL.	[6]

## Part Notes:

- [1] - TSB-PPW-2016-016 MC 3C\_MC 4M\_MH 3M Pump oil no stock  
DE TSB-PPW-2016-016 MC 3C MC 4M MH 3M Pumpenöl nicht verfügbar  
0,42L - OIL TYPES\_QUANTITY for HPW\_APRIL 2017
- [2] - MPU ALTO SWEDEN 3C - 130/660 230/1/50/13 - MC 3C-140/660 230/1/50/16 - MC 3C-150/660 230/1/50/16 - MC 3C-150/660 230/1/50/16 XT EU - MC 3C-150/570 230/1/50/13 XT UK, MC 3C-140/157
- [3] - MC 3C-140/660 220/1/60/15 EXPT - UNITOR HPC 30/1 3C - 150/660 220/1/60/16
- [4] - MC 3C-160/770 400/3/50 - MC 3C-170/820 400/3/50 - MC 3C-170/820 400/3/50 XT - MC 3C-170/820 230-400/3/50 XT NO - MC 3C-170/820 220-440/3/60
- [5] - TSB-PPW-2015-007 MC 3C MC 4M, Oil Container leaking oil at O-ring seal  
DE TSB-PPW-2015-007 MC 3C und MC 4M, Öl Behälter Leckage bei dem O-Ring
- [6] - US

